

Outdoor IR Bullet IP Camera

ExD61-1.3M720-i24

D-vigilant
digital your life

EXD
Express Detection



**NO NETWORK
KNOWLEDGE
REQUIRED!!!**



- 1/3" CMOS Sensor, 1.3 Megapixel Resolution
- Image Resolution: 1280 × 960
- 3.6mm Megapixel Fixed Lens with ICR
- Network Protocol is FAB-D to NVR
- NVR Search IP CAMs Automatically and no need IP setting
- Support Dual H. 264 Streams and RTSP Stream
- Support WDR, Brightness, Hue, Contrast, MASK and DAY/NIGHT Functions
- NVR one-key-match to IP CAMs would automatically reconnect once NVR new network segment revised
- 12V DC Power Supply
- RJ45&DC IN Cable
- Easy Cabling and Maintenance
- Lowest Power Consumption
- 24pcs IR LED (0 Lux with IR on), Max. 15 Meters IR Range
- Lowest Heat on Board for Long Life of Camera
- 3 Axis Wall Mount
- Well-done Lightning Protection and No Image Interference



Indoor Application



Indoor Application



3 Axis Wall Mount

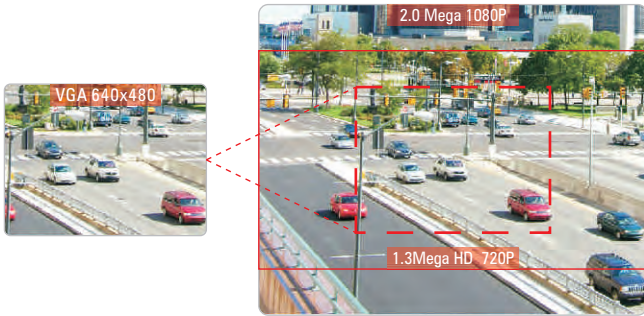


Mobile Apps. with Playback & Audio

FUNCTIONS DEMO.

Power Full Megapixel Images

Megapixel Lenses provide high quality clear images, also, special designed lens mount(internally) resulting uniform focus throughout the view area. The picture quality advantages of megapixel cameras benefited end-users in a couple of ways, in some application , a megapixel camera could cover the same area as a CCTV camera with an improved level of picture quality,, so you can say actually identify people



Powerful Software

As you know, a good hardware design need good software to give the 100% performance. Our all cameras are quipped with powerful smart logical software to run it. Fortunately, this situation is changing fast. The combination of megapixel IP network cameras and full-featured IP video surveillance management software is enabling much greater image quality, camera control and coverage — all keys to more effective video surveillance, evidence collection, and prosecution. This same combination is allowing businesses, governmental organizations, and educational institutions to cover more area with fewer cameras, achieve greater automation in their surveillance activities, and realize significant cost savings.

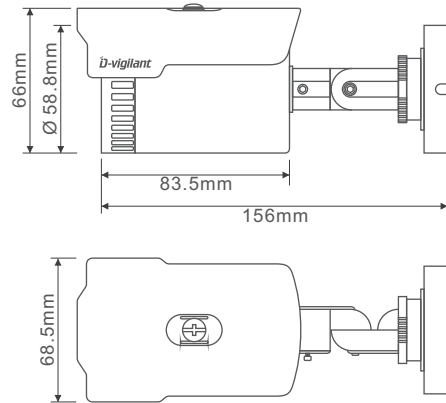


*Above trademark or logo is the sole property of their owner.

TECHNICAL SPECIFICATIONS

Model	ExD61-1.3M720-i24
System	
Image Sensor	1/3" CMOS Progressive Scan
Total Pixels	1.3 Megapixel
Image Resolution	1280×960
Lens Type	3.6mm Megapixel Fixed Lens with ICR
S/N Ratio	50 dB
Remote Access	NVR
WDR(Wide Dynamic Range)	OFF/ON
Brightness	Adjustable
Hue	Adjustable
Contrast	Adjustable
Motion Detect	Express Motion Detect
Privacy Mask	Support
Day/Night	IR Cut Filter with Auto Switch
Video Compression	H. 264 High Profile
Frequency	50 / 60 HZ
Alarm	Motion Alarm
PTZ Control	RS485
Network Protocol	FAB/Onvif
Network Interface	100M RJ45
Dual Streaming	720P30 + 480P30
Mobile Support	iOS, Android, Windows, Blackberry & Symbian
IR LED (pcs)	24
IR Range (m)	Max.15
Power Supply	DC 12V
Operating Temperature	No heater: -10°C (14°F) to +50°C (122°F)
Dimensions (mm)	156 (L) X 68.5 (W) X 66 (H)
Weight (g)	Approx. 326

DIMENSIONS



The above mentioned technical drawings are for reference only. All dimensions are in millimeters.

