



## ADV-Ee05WN / ADV-Ee05WP

### 3-AXIS VARI-FOCAL IR INDOOR DOME CAMERA

#### FEATURES

- Built with ADVERT Ray Gold Board
- SONY Effio-e 960H CCD & D.S.P
- High Resolution 700TVL Color & 750TVL B/W
- 2.8~12mm Auto-Iris lens  
(3~12mm Auto-Iris Japan lens Optional)
- Lux Image Capture Color : 0.1 Lux@ F1.2, B/W : 0.08 Lux @ F1.2
- Noise Free Image at Low Light with 2DNR
- Professional Setup with Built-in OSD Menu
- ATR Adaptive Tone-curve Reproduction (D-WDR)
- BLC and HLC (Configurable High Illumination Mask)
- SEVEN Types of White Balance (ATW, PUSH, USER1, USER2, ANTI COLLOR ROLLING, MANUAL, PUSH LOCK)
- Selectable Day(Color) / Night(B/W)
- Video Motion Detection (4 Areas)
- 2DNR Noise Rejection (For Saving HDD Space During Motion Recording)
- Selectable Privacy Mask Zones (Max. 4 Areas)
- Eight Types of Languages Setting (Chinese, English, French, German, Japanese, Portuguese, Russian & Spanish)
- High Performance 28 IR LEDES for (0 Lux) up to 20 Meter. Night Vision
- Lowest Power Consumption (90 mA / 12 V DC at Day Time, 250 mA / 12 V DC at Night Time with IR LED On)
- Lowest Heat on Board for Long Life of Camera
- Three Axis Gimbal for Freely Lens Angle Setup
- Optically Corrected Top Dome Cover
- Compact and Light Weight



Indoor Application



Indoor Application



3Axis / IR



UTP (Optional)

# ADV-Ee05WN ADV-Ee05WP

## 3-AXIS VARI-FOCAL IR INDOOR DOME CAMERA

Digital Wide Dynamic Range

### ULTRA HIGH RESOLUTION



CONVENTIONAL CAMERA



700TVL

### D-WDR (DIGITAL WIDE DYNAMIC RANGE)



DIGITAL WDR ON



DIGITAL WDR OFF

### HI-ILLUMINATION MASK FOR CAR PLATE RECOGNITION



HI-MASK OFF + IR ON



HI-MASK ON + IR OFF

### SENS-UP GAIN STEP (STAR LIGHT CAMERA)



CONVENTIONAL CAMERA



SENS-UP ON

### BLC (BACK LIGHT COMPENSATION)



OFF

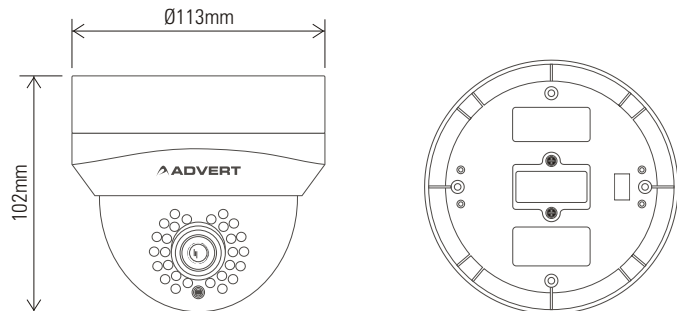


ON

## TECHNICAL SPECIFICATIONS

Model	ADV-Ee05WN	ADV-Ee05WP
System	NTSC	PAL
Image Sensor	SONY Effio-e 960H CCD & D.S.P	
Lens Type	2.8~12mm Auto-Iris lens (3~12mm Auto-Iris Japan lens Optional)	
Scanning System	2:1 Interlace	
Scanning Frequency (H)	15734 Hz	15625 Hz
Scanning Frequency (V)	59.94Hz	50.00Hz
Sync. System	Internal	
Signal System	525 Lines	625 Lines
Total Effective Pixels	976(H) X 494(V)	976(H) X 582(V)
S/N Ratio	More than 52 dB (AGC OFF)	
Gamma	0.45 Default, Various Selectable with OSD	
Resolution	700 TVL Color & 750 TVL B/W	
Video Output Level	1.0 Vp-p (75 Ohms, Composite)	
Min. Illumination	0.1 Lux@F1.2 (Color Mode), 0.08 Lux@F1.2 (B/W Mode)	
Shutter Fixed	1/60 ~ 1/120,000 Sec. / FLK	1/50 ~ 1/100,000 Sec. / FLK
BLC	OFF / BLC / HLC	
ATR	ATR : Adaptive Tone-curve Reproduction Digital WDR	
AGC	AUTO (4 Steps)	
White Balance	ATW / PUSH / USER1 / USER2 / ANTI CR / MANUAL / PUSH LOCK	
Day / Night	COLOR / B & W / AUTO	
DNR	2D	
Motion Detection	ON / OFF (4 Programmable Zones)	
Privacy Zone	ON / OFF (8 Zones Programmable, Mosaic)	
Image Setup	OFF / V-FLIP / MIRROR / ROTATE / FREEZE / NEG. IMAGE	
Language	Chinese, English, French, German, Japanese, Portuguese, Russian & Spanish	
Reset	Factory Reset	
Pro. Functions Access	Five-way Switch OSD Control	
Infra Red LED	Peak Wavelength	850 nm
	Beam Spread	60 °
28 PCS.	Radiant Distance	20 Meter
Power Supply	DC 9.0 V -13 V (Recommendation DC 12 ± 0.5 V)	
Current Consumption	90mA / 12V DC at Day Time, 250 mA/12V DC at Night Time with IR LED On	
I / O Connector	Video output: Molded (Pig Tail) BNC Connector and 12 VDC Input: DC Socket	
Operating Temp	-10 °C ~ +50 °C (14 °F ~ 122 °F)	
Dimensions	113.0 mm (Base Diameter) X 102.0 mm (H)	
Weight	Approx. 340 g	

## DIMENSIONS



The above mentioned technical drawings are for reference only.  
All dimensions are in millimeters.

