



**ADVERT**  
DIGITAL SECURITY WORLD



600 TVL, 650 TVL, 700 TVL  
DIS Pro. Sensor Technology

Fixed Lens Outdoor IR Bullet Camera

**ADC-U40NDS-i24 / ADC-U40PDS-i24**  
**ADC-V40NDS-i24 / ADC-V40PDS-i24**  
**ADC-W40NDS-i24 / ADC-W40PDS-i24**

**FEATURES**

- CPiX 1/3" DIS Pro. Sensor
- 600 TVL Resolution (U)  
650 TVL Resolution (V)  
700 TVL Resolution (W)
- True Day & Night with ICR Auto Switch
- 0.1 Lux Min. Illumination (0 Lux with IR on)
- High Bright 850 nm 24 IR LEDS
- IR Range 15 meters
- 3.6 mm Fixed Lens (2.8 mm Optional)
- Auto White Balance, AGC, BLC
- 3-Axis Adjustment for easy Installation
- Compact Design



Indoor Application



Outdoor Application



Outdoor Application



Indoor Application

**FUNCTIONS DEMO.**

**High Resolution**



CONVENTIONAL CAMERA



HIGH RES. CAMERA

**AGC (Auto Gain Control)**



AGC OFF (Day time low light)



AGC ON (Day time low light)

**BLC (Back Light Compensation)**

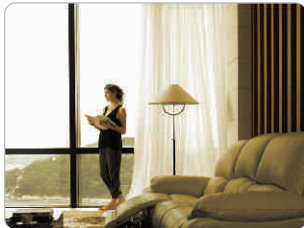


BLC OFF

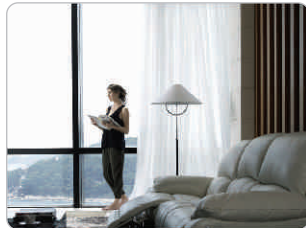


BLC ON

**White Balance**



OFF



ON

**Day / Night**



Day



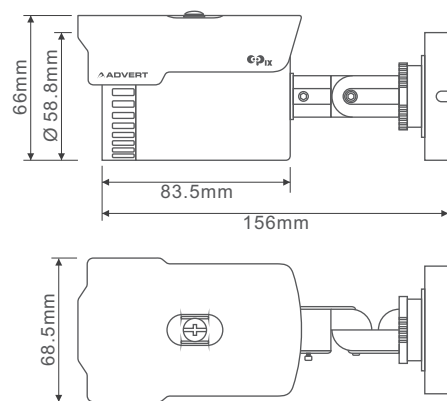
Night

**TECHNICAL SPECIFICATIONS**

Model	ADC-U40NDS-i24 ADC-U40PDS-i24	ADC-V40NDS-i24 ADC-V40PDS-i24	ADC-W40NDS-i24 ADC-W40PDS-i24
Image Sensor	CPiX 1/3" DIS Pro. Sensor		
Lens Type	3.6 mm Fixed Lens (2.8 mm Optional)		
Scanning System	2:1 Interface		
Scanning Frequency (H)	15734 Hz (NTSC), 15625 Hz (PAL)		
Scanning Frequency (V)	59.94 Hz (NTSC), 50.00 Hz (PAL)		
Sync. System	Internal		
Signal System	625 Lines		
Total Pixels	640H X 480V		
S/N Ratio	More Than 52 dB (AGC OFF)		
Resolution	600TVL	650TVL	700TVL
Video Output Level	1.0 Vp-p (75 Ohms, Composite)		
Min. Illumination	0.1Lux@F1.2, 0 Lux with IR on		
Exposure/ AGC	AUTO		
BLC	AUTO		
White Balance	AUTO		
Day/Night Switching	Electronic		
Flicker Free Mode (Shutter Fixed)	1/25s to 1/15,000s		
IR LED	5mm 24 LEDS		
Power Supply	DC 12V ± 1V		
Current Consumption	45mA / 12V DC, 220mA / 12V DC with IR on		
I / O Connector	Video Output: Molded (Pig Tail) BNC Connector and 12V DC Input: DC Socket		
Operating Temp	-10 °C ~ +50 °C (14 °F ~ 122 °F)		
Dimensions	156 (L) X 68.5 (W) X 66 (H)		
Weight	Approx. 326		

**DIMENSIONS**

Unit: mm



The above mentioned technical drawings are for reference only.

